



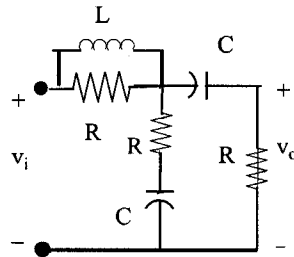
Course Title: Automatic control Engineering
Date: May 2105

Course Code:
Allowed time: 3 hrs

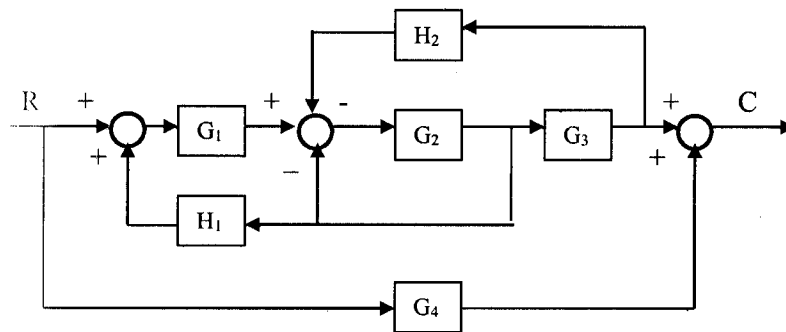
Year: 2nd
No. of Pages: (2)

Remarks: (answer the following questions)

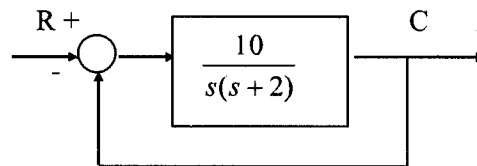
Q1) a) Find transfer function of the following system. (10 Marks)



b) Determine the transfer function using signal flow graph (10 Marks)
and block diagram reduction. (10 Marks)



Q2) [a] For the following system: (10 Marks)



- 1) Find the type of the system and its order?
- 2) Determine the natural frequency and damping factor?
- 3) Compute the rise time and the percentage overshoot for the step input?

[b] For each of the following characteristic equations, find the root distribution and determine whether the system is stable, marginally stable, or unstable: (15Marks)

- i) $S^6 + S^5 + 2S^4 + 2S^3 + 3S^2 + 2S + 4 = 0$
- ii) $S^7 + 3S^6 + 3S^5 + S^4 + S^3 + 3S^2 + 3S + 1 = 0$
- iii) $S^5 + 2S^4 + 2S^2 + 4S + 5 = 0$

Q(3): For positive values of K, plot the root locus for a unity negative feedback control system having the following open-loop transfer function:

$$G(s) = \frac{K(s+2)}{(s-1)(s+3)(s+5)}$$

For what values of gain K does the system become unstable? Find also the value of k at which the damping ratio is 0.5. (15 Marks)

Q(4):

[a] Find a state space model for a control system having the transfer function:

$$G(s) = \frac{(s+2)(s+5)}{(s+3)(s^2+s+4)}$$

in the pole-zero form (10 Marks) and other representation. (5 Marks)

[b] For the following system

$$\dot{X} = \begin{bmatrix} 0 & 1 \\ -6 & -5 \end{bmatrix} X + \begin{bmatrix} 1 \\ 2 \end{bmatrix} u$$

$$y = [2 \quad 3] X$$

Find: 1) Determine whether the system in (b) is completely state controllable, observable and stable. (5Marks)

2) The transition matrix $\Phi(s)$. (4 Marks)

[c] Given a system described by the dynamic equations (6 Marks)

$$\frac{dx(t)}{dt} = Ax(t) + bu(t) \quad y(t) = cx(t)$$

where

$$A = \begin{bmatrix} 0 & 1 & 0 \\ 0 & 0 & 1 \\ 0 & -1 & -2 \end{bmatrix} \quad b = \begin{bmatrix} 0 \\ 0 \\ 1 \end{bmatrix}, \text{ and } C = [1 \quad 1 \quad 0]$$

1) The characteristic equation.

2) Find the transfer function $Y(s)/U(s)$.

مع أطيب الأمنيات بالتوفيق والنجاح

Course Examination Committee

Dr: Mohamed Ahmed Shoaib

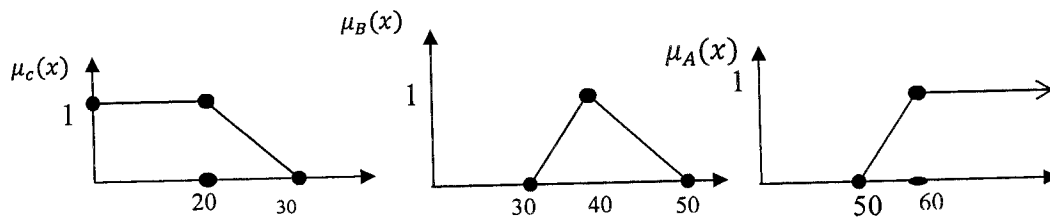
Course Title: Mathematics(3B)
Date: 2015 (Second term)

Course Code: PME2211
Allowed time: 3 Hrs

Year: 2nd (Computer & Control Dep.)
تلفات

Q (1)

- (a) Show that the set $A = f\left(\frac{1}{\sqrt{1+5x}}\right)/x$ is convex
- (b) Consider the fuzzy sets F and G defined in interval [0,10] by the memberships $\mu_F(x) = 2^{-x}$ and $\mu_G(x) = \frac{1}{1+10(x-2)^2}$. Determine the mathematical formulas and graphs of memberships functions of (i) $\mu_{\bar{F}}$ and $\mu_{\bar{G}}$ (ii) $\mu_{F \cup G}$ and $\mu_{F \cap G}$
- (c) A product with memberships represents, degree of high expensive $\mu_A(x)$, degree of medium expensive $\mu_B(x)$ and degree of cheap expensive $\mu_C(x)$. Use defuzzification methods to find suitable price if its cheap degree is 0.2, its medium degree is 0.5 and high degree 0.7 where



Q (2)

- (a) Solve by series solutions $x^2 \frac{d^2y}{dx^2} - x \frac{dy}{dx} + (x^2 + 1)y = 0$ at the point $x = 0$
- (b) Find all values of z such that $\cosh z = 1 + i$
- (c) Find an analytic function whose real part is $U(x, y) = x^3y - y^3x$.

Q (3)

- a) Let $f(z)$ be an analytic in a simple connected domain and let C be a simple closed contour lying entirely within the domain, if z_0 is any point interior in C then prove that $2\pi i f^{(n)}(z_0) = n! \oint_C \frac{f(z)}{(z-z_0)^{n+1}} dz, n = 0,1,2,3, \dots$
- b) Evaluate $\oint_C \frac{\cos(z)}{(z-3)^3(z+4)^2} dz, C: |z| = 5$.
- c) Find and sketch the image of the circular curve $|z - 1| = 1$ under the mapping $w = \frac{1}{z}$.

Q (4)

- (a) Let $f(z)$ be an analytic function within and on a closed contour C except at a finite number of singular points z_1, z_2, \dots, z_n interior to C . Then prove $\oint_C f(z) dz = 2\pi i \sum_{i=1}^n \text{Res}_{z=z_i}\{f(z)\}$ where the integral is taken counter clockwise direction around C
- (b) Using the residue theorem to evaluate $\int_0^{2\pi} \frac{\cos 3\theta}{5-4\cos\theta} d\theta$.
- (c) Using the residue theorem to evaluate $\int_{-\infty}^{\infty} \frac{x^2}{(x^2+1)^2(x^2+2x+2)} dx$.



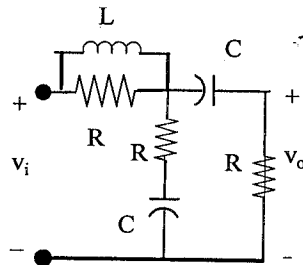
Course Title: Signals and Systems
Date: May 2015

Course Code:
Allowed time: 3 hrs

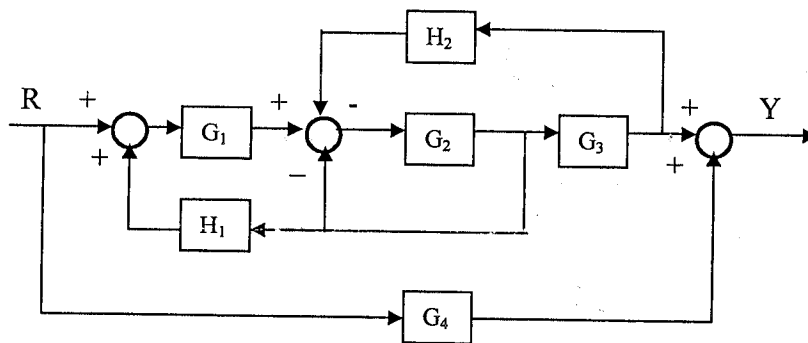
Year: 2nd
No. of Pages: (2)

Q1) a) Find the transfer function of the following system.

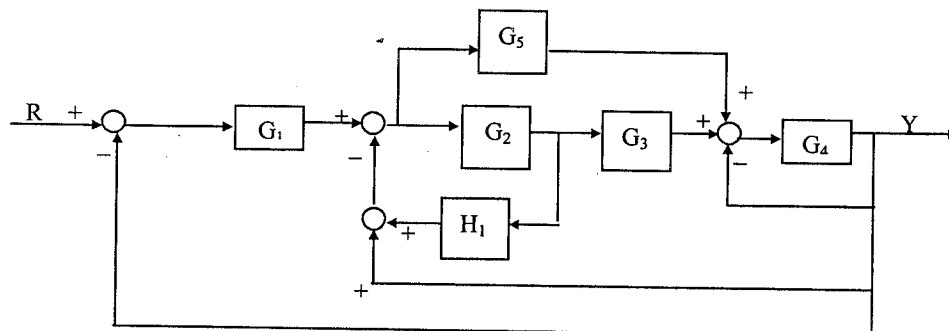
(10 Marks)



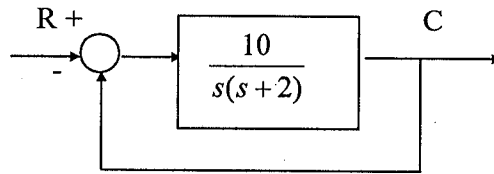
b) Determine the transfer function using signal flow graph. (10 Marks)



c) Determine the transfer function using block diagram reduction. (14 Marks)



Q2) [a] For the following system: (16 Marks)



- 1) Find the type of the system and its order?
- 2) Determine the natural frequency and damping factor?
- 3) Determine the steady state error for step input?
- 4) Compute the rise time and the percentage overshoot for the step input?

[b] For each of the following characteristic equations, find the root distribution and determine whether the system is stable, marginally stable, or unstable: (20 Marks)

- i) $S^6 + S^5 + 2S^4 + 2S^3 + 3S^2 + 2S + 4 = 0$
- ii) $S^7 + 3S^6 + 3S^5 + S^4 + S^3 + 3S^2 + 3S + 1 = 0$
- iii) $S^5 + 2S^4 + S^2 + 3S + 8 = 0$
- iv) $S^4 + S^3 + 2S^2 + 4S + 1 = 0$
- v) $S^3 + 2S^2 + 4S + 6 = 0$

Q(3): 1- Explain three properties of the system and give an example for each. (9 Marks)
 2- Define the state of the system and how choose it. (4 Marks)
 3- Define controllability and observability. (5 Marks)

Q(4): [a] Find a state space model for a control system having the transfer function:

$$G(s) = \frac{(s+2)(s+5)}{(s+7)(s^2+s+3)}$$

in the pole-zero form (11 Marks) and other representation. (6 Marks)

[b] For the following system

$$\dot{X} = \begin{bmatrix} 0 & 1 \\ -2 & -3 \end{bmatrix} X + \begin{bmatrix} 1 \\ 2 \end{bmatrix} u$$

$$y = [5 \quad 1] X$$

- Find : 1) Determine whether the system in (b) is completely state controllable, observable and stable. (9 Marks)
 2) The transition matrix $\Phi(s)$. (6 Marks)

Course Examination Committee

Dr: Mohamed Ahmed Shoaib